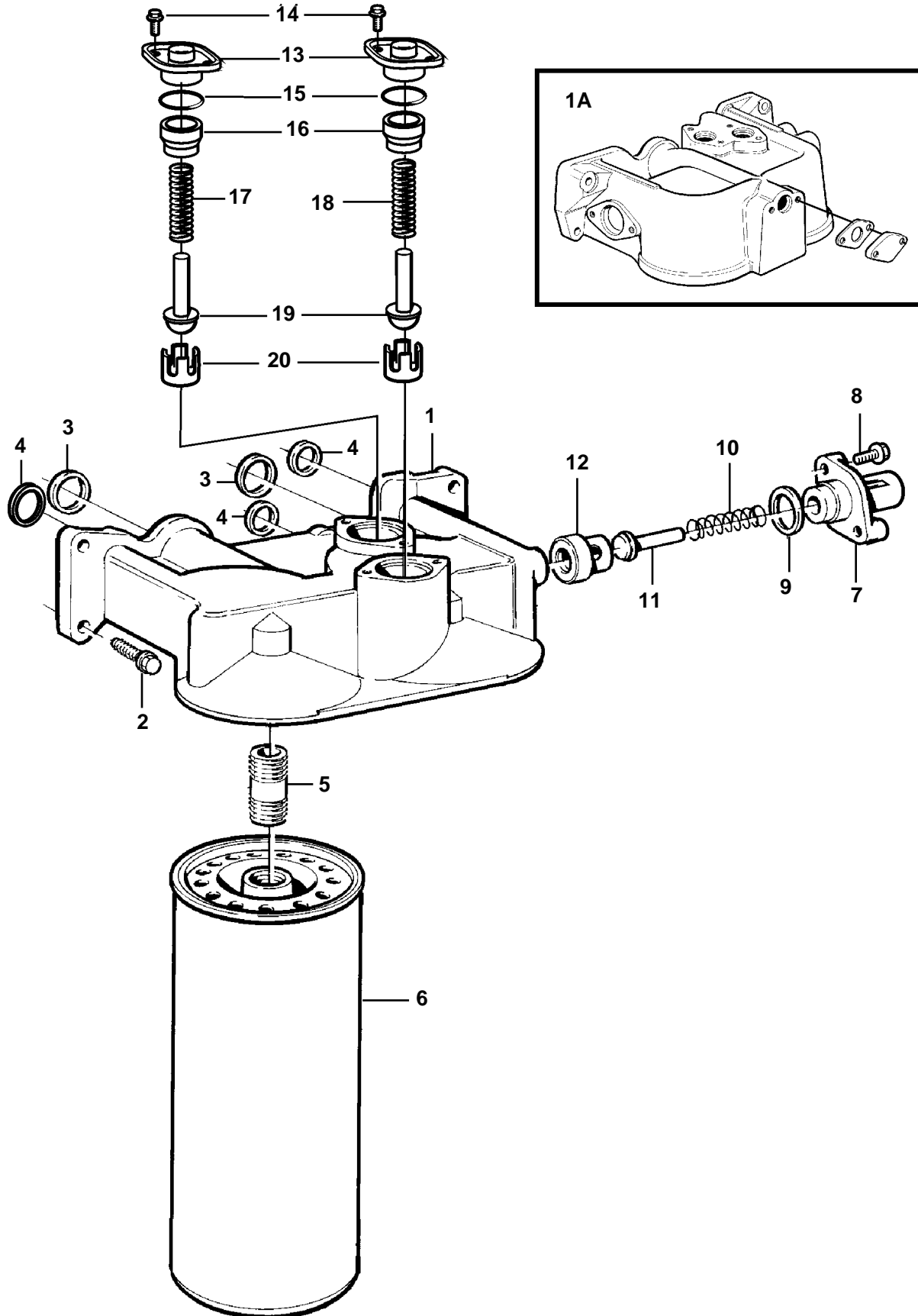


TAMD162A, TAMD162B, TAMD162C, TAMD162C-B



TAMD162A, TAMD162B, TAMD162C, TAMD162C-B

REF	PART NO.	QTY	DESCRIPTION	SEE SEC.	NOTES
1	1543466	1	Oil filter housing		REPL BY 3826373
1A	3826373		Oil filter housing	4177	
2	946671	3	Flange screw		L=30mm
	946470	1	Flange screw, oil pipe-turbo		L=35mm
3	8192187	2	Sealing ring		
4	8192189	3	Sealing ring		
5	1543276	2	Nipple		
6	478736	2	Oil filter		
7	1543608	1	Cover		
8	946671	2	Flange screw		
9	1543577	1	Sealing ring		
10	1543611	1	Spring		
11	1543610	1	Peg		
12	1543964	1	Valve seat		
13	1542267	2	Cover		
14	945414	4	Screw		
15	1543577	2	Sealing ring		
16	1542266	2	Sleeve		
17	466653	1	Spring		
18	466653	1	Spring		
19	471085	2	Valve		
20	1542265	2	Seat		